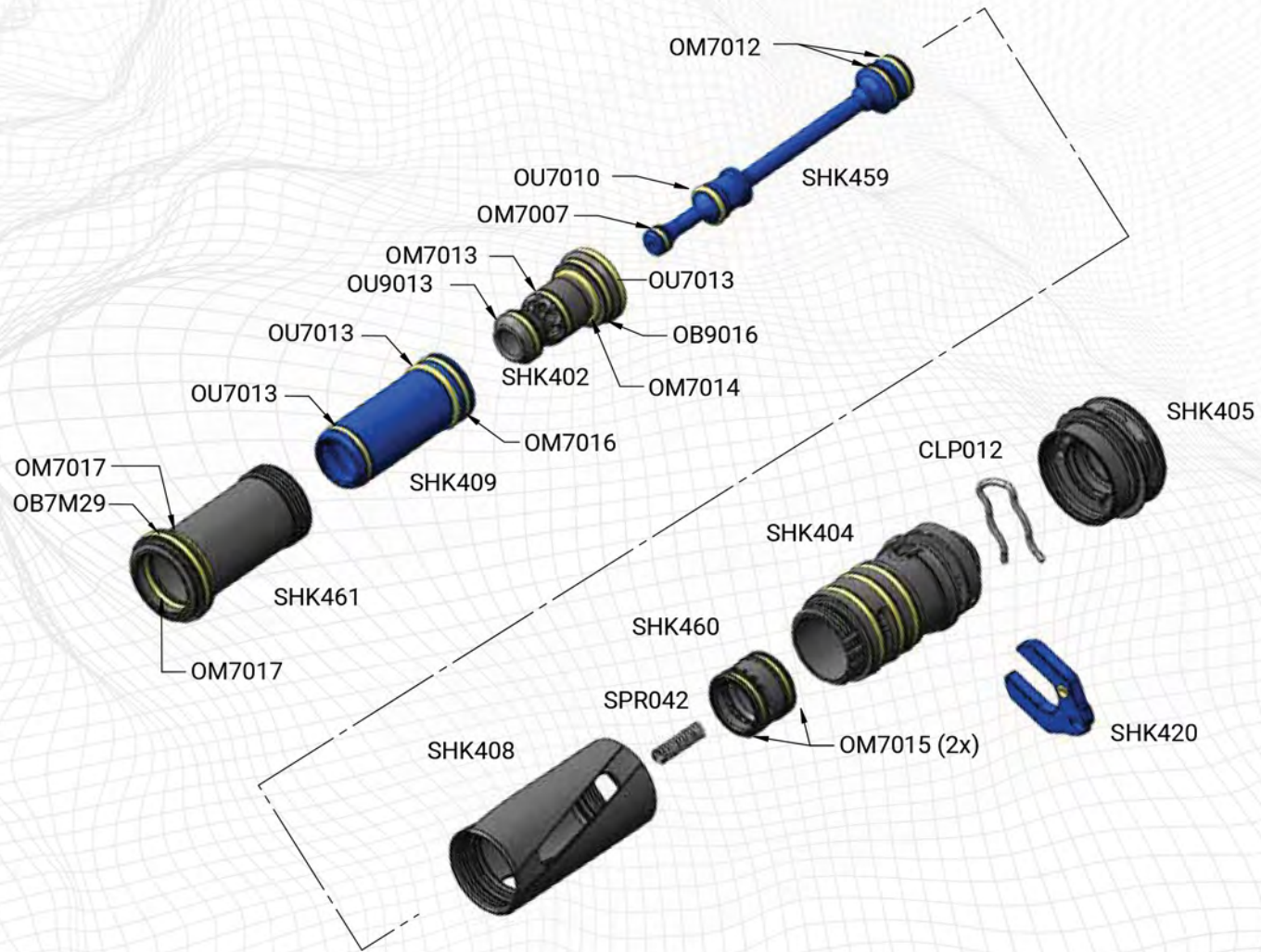




SHOCKER[®] AMP

MAIN CHAMBER ASSEMBLY





SHOCKER[®] AMP

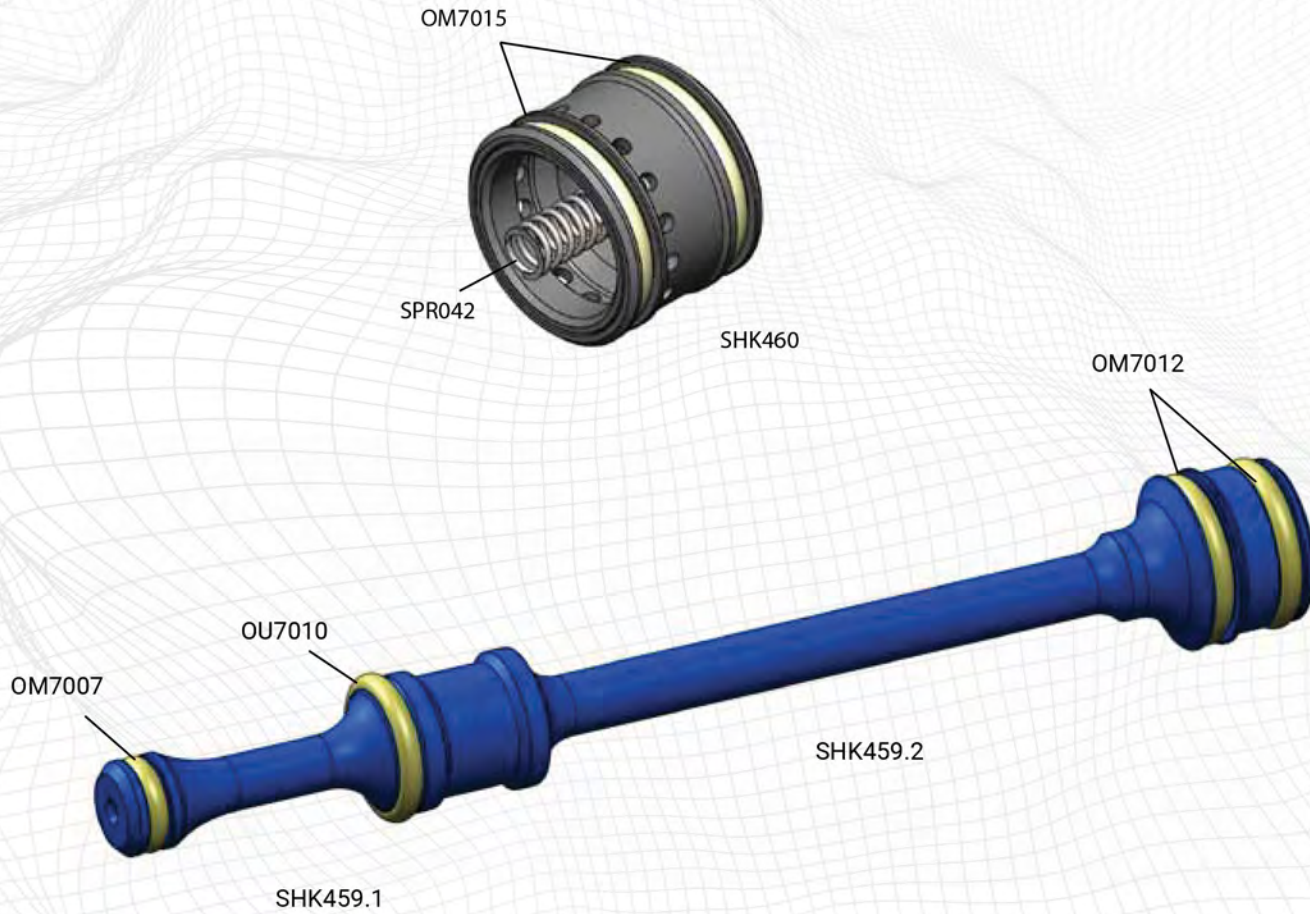
FIRING CAN ASSEMBLY





SHOCKER[®] AMP

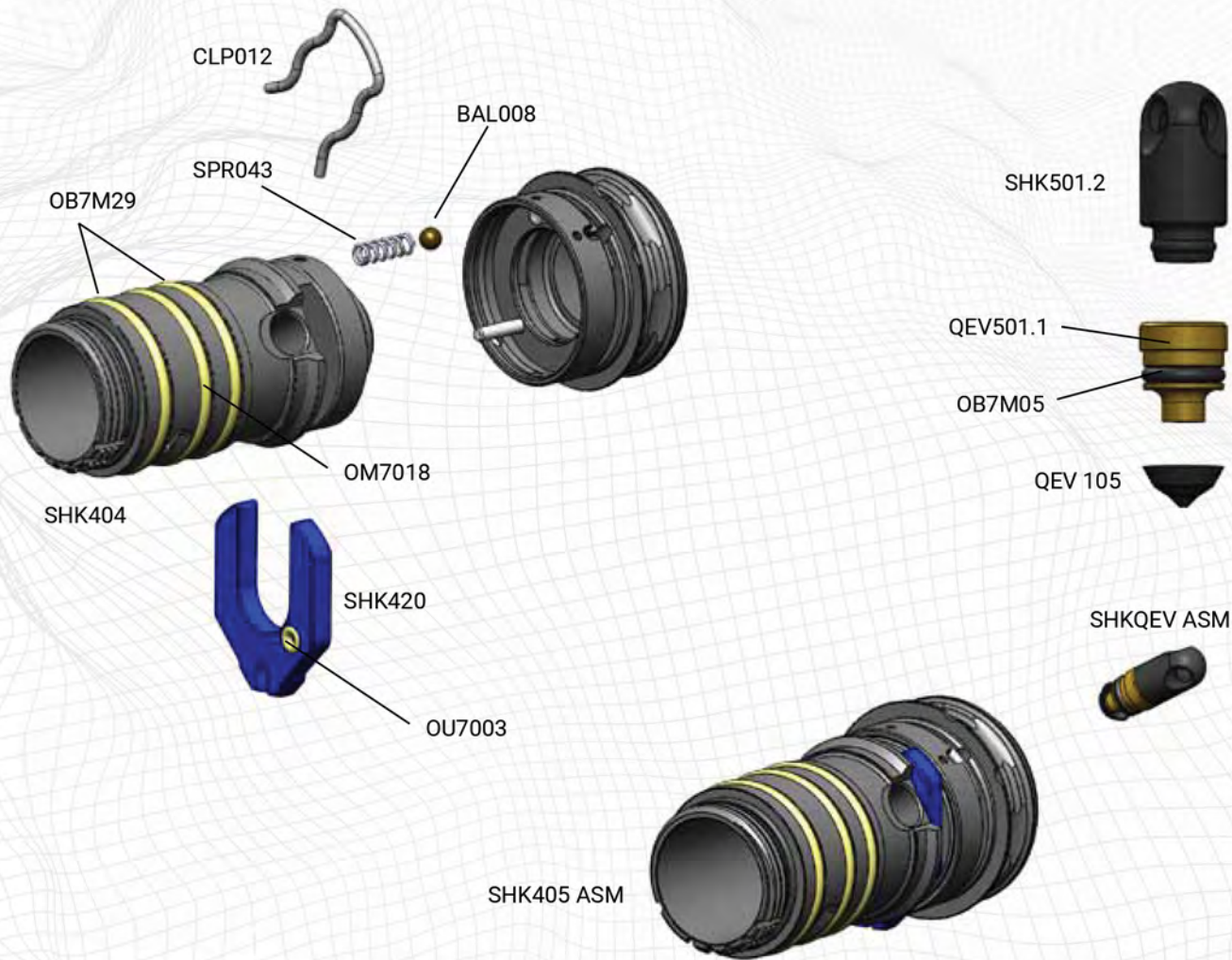
— SPOOL + SHUTTLE ASSEMBLY —





SHOCKER[®] AMP

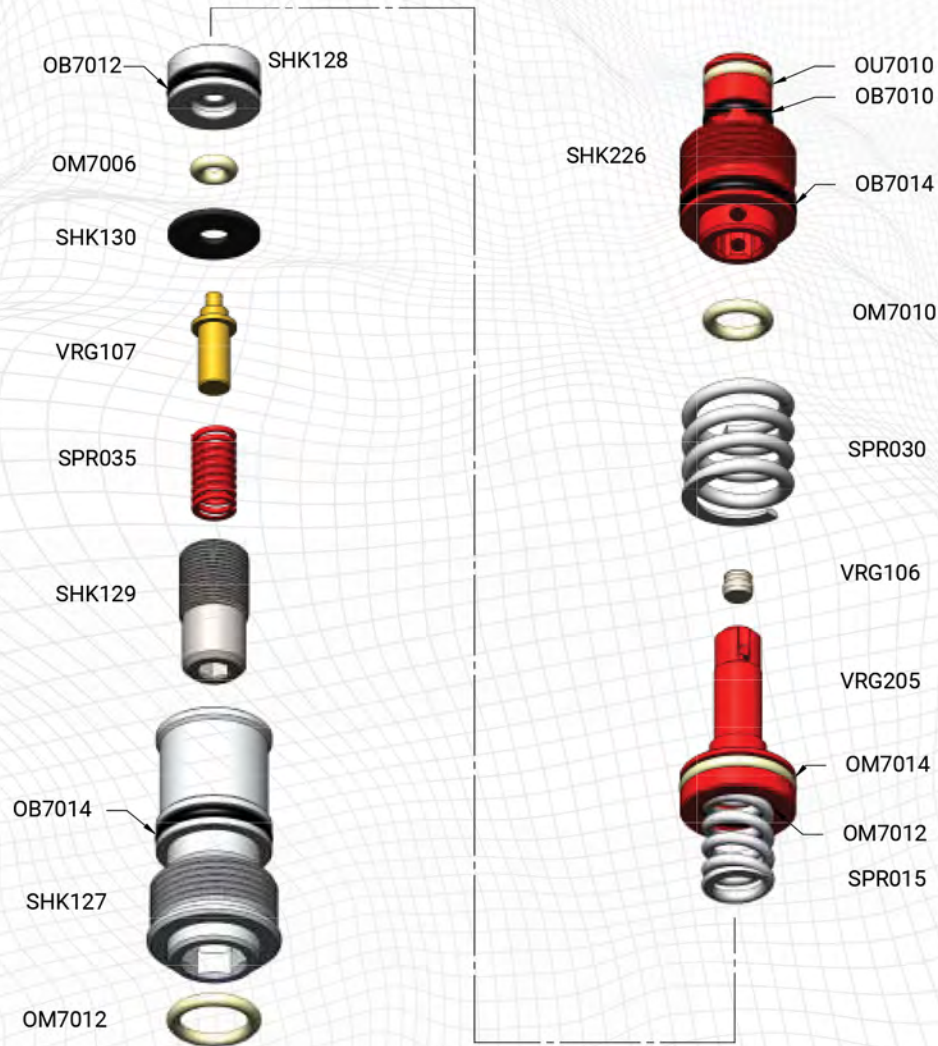
REAR CHAMBER ASSEMBLY





SHOCKER[®] AMP

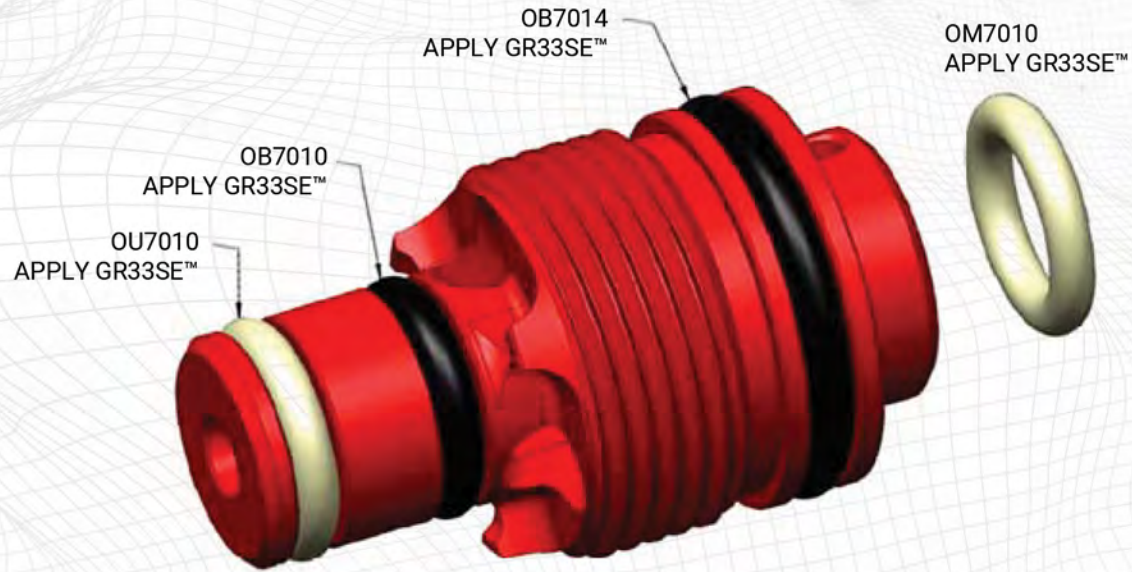
FULL REGULATOR ASSEMBLY





SHOCKER[®] AMP

REGULATOR BASE ASSEMBLY

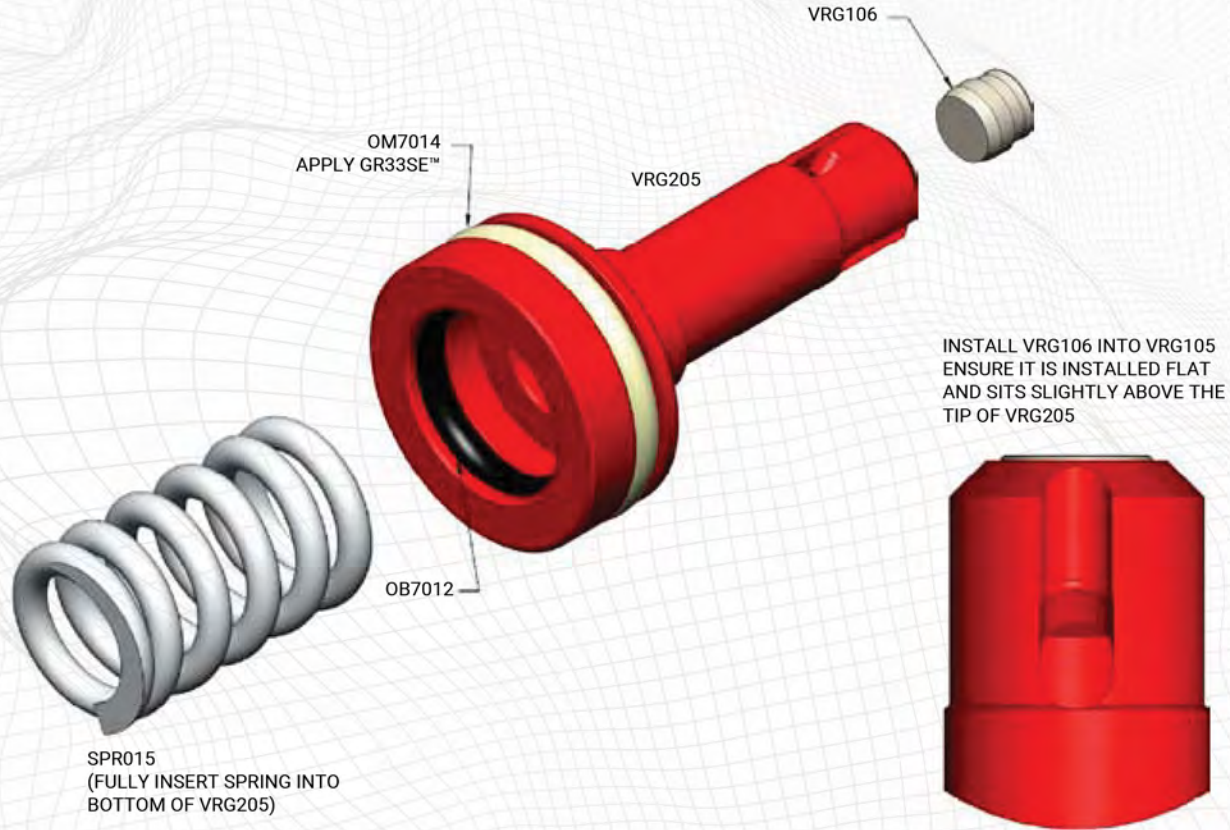


SHK226



SHOCKER[®] AMP

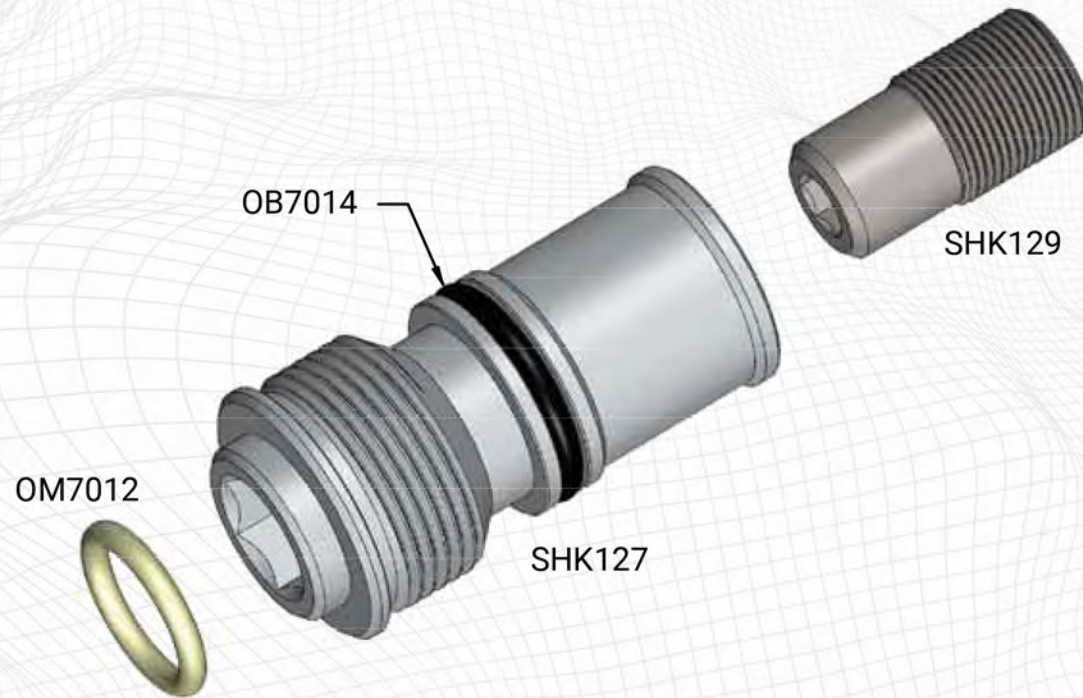
REGULATOR PISTON ASSEMBLY





SHOCKER[®] AMP

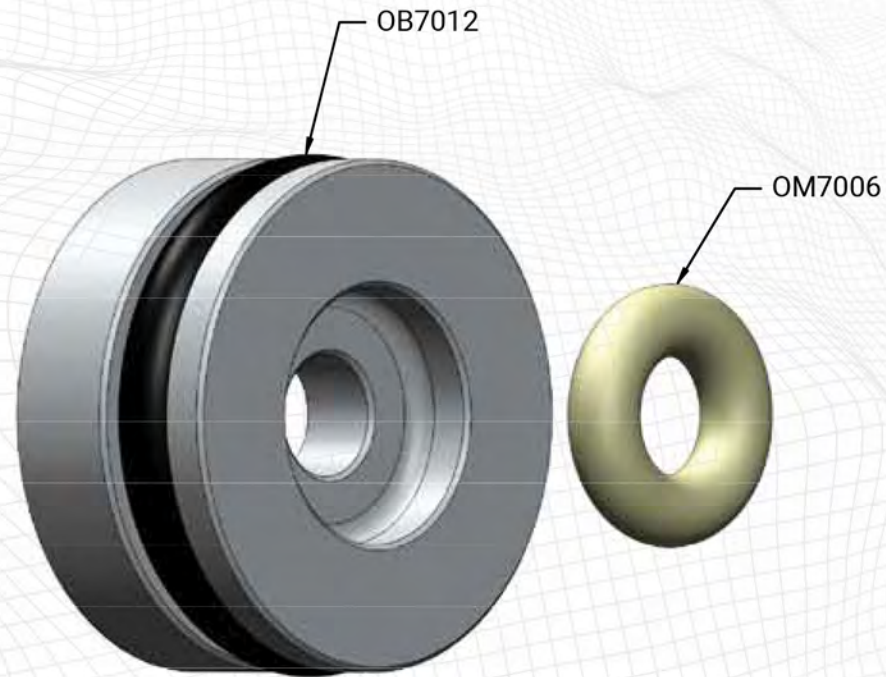
REG SPRING BASE ASSEMBLY





SHOCKER[®] AMP

REG SPRNG GUIDE ASSEMBLY

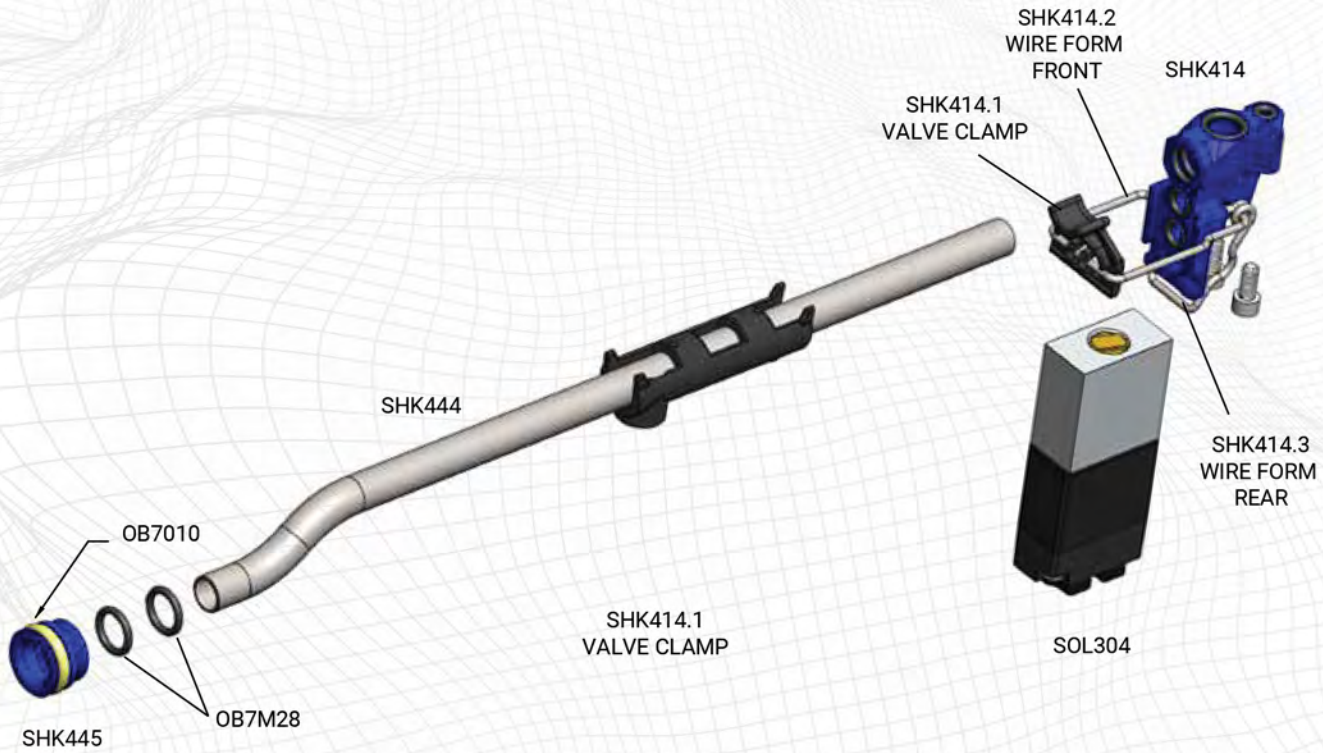


SHK128



SHOCKER[®] AMP

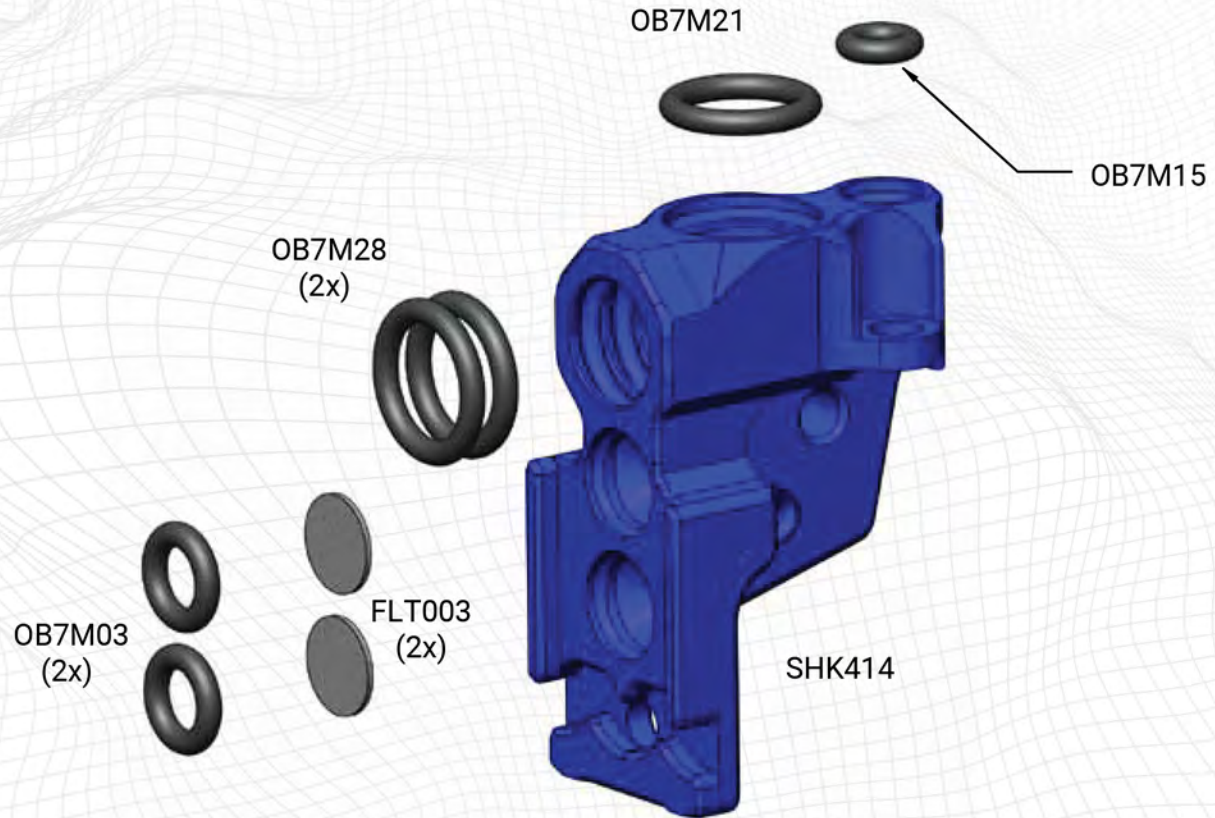
SOLENOID VALVE ASSEMBLY





SHOCKER[®] AMP

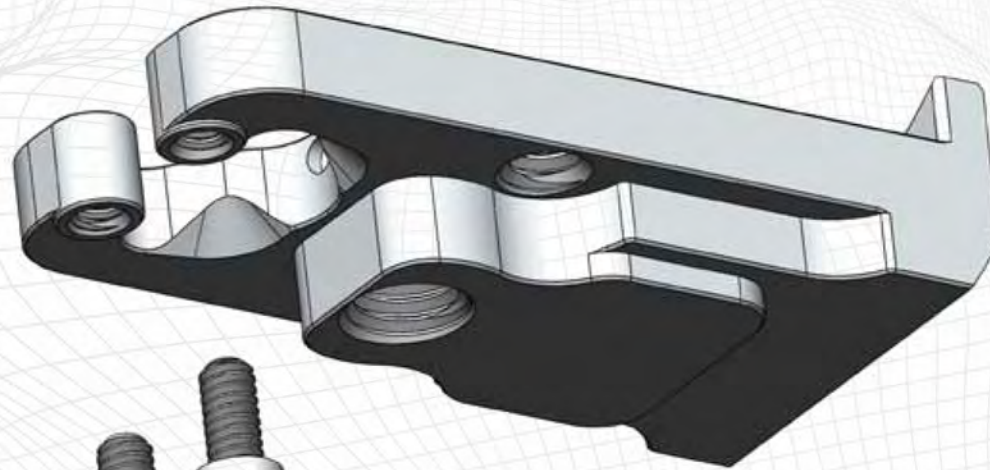
SOLENOID MANIFOLD ASSEMBLY





SHOCKER® *AMP*

BOLT LATCH ASSEMBLY



SHK421



SSS014 (2x)



SHOCKER[®] AMP

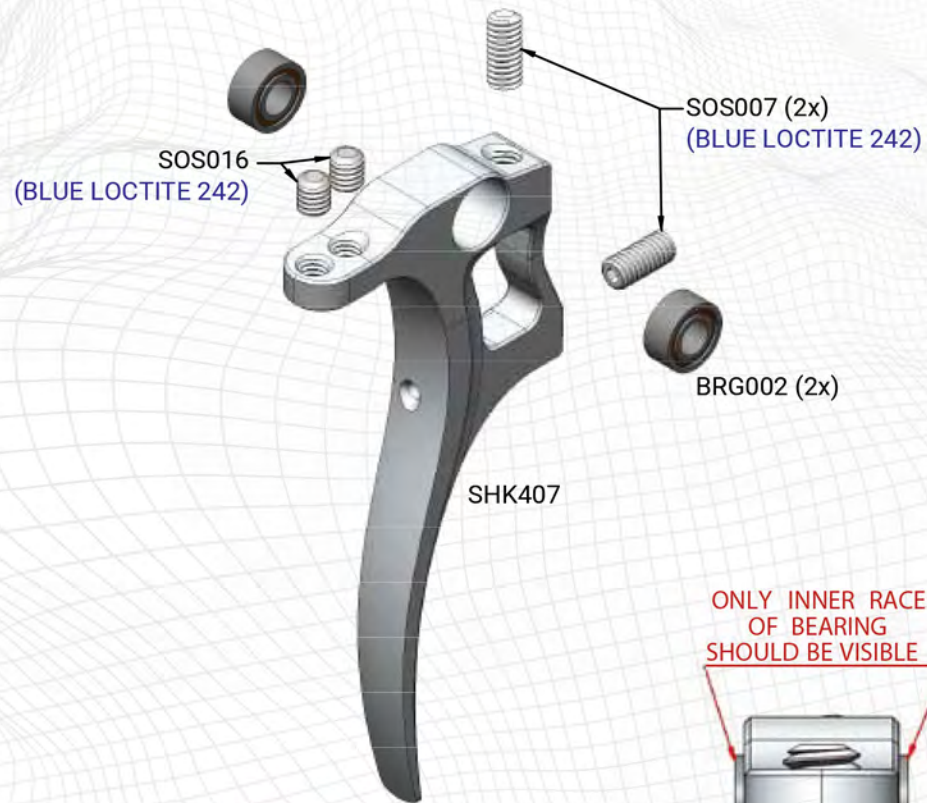
GRIP FRAME ASSEMBLY





SHOCKER[®] AMP

FULL TRIGGER ASSEMBLY



ONLY INNER RACE
OF BEARING
SHOULD BE VISIBLE



ENSURE BEARING
OUTER RACE IS FLUSH
WITH BOTH OUTSIDE
SURFACES OF TRIGGER



SHOCKER[®] AMP

FULL ASA ASSEMBLY



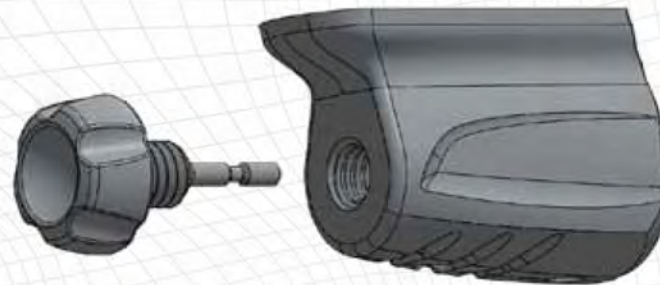
SHK406
BOTTOM OF FRAME



FLT004

OM9007

SSC010 (2x)
BLUE LOCTITE 242



SHK437

SHK436



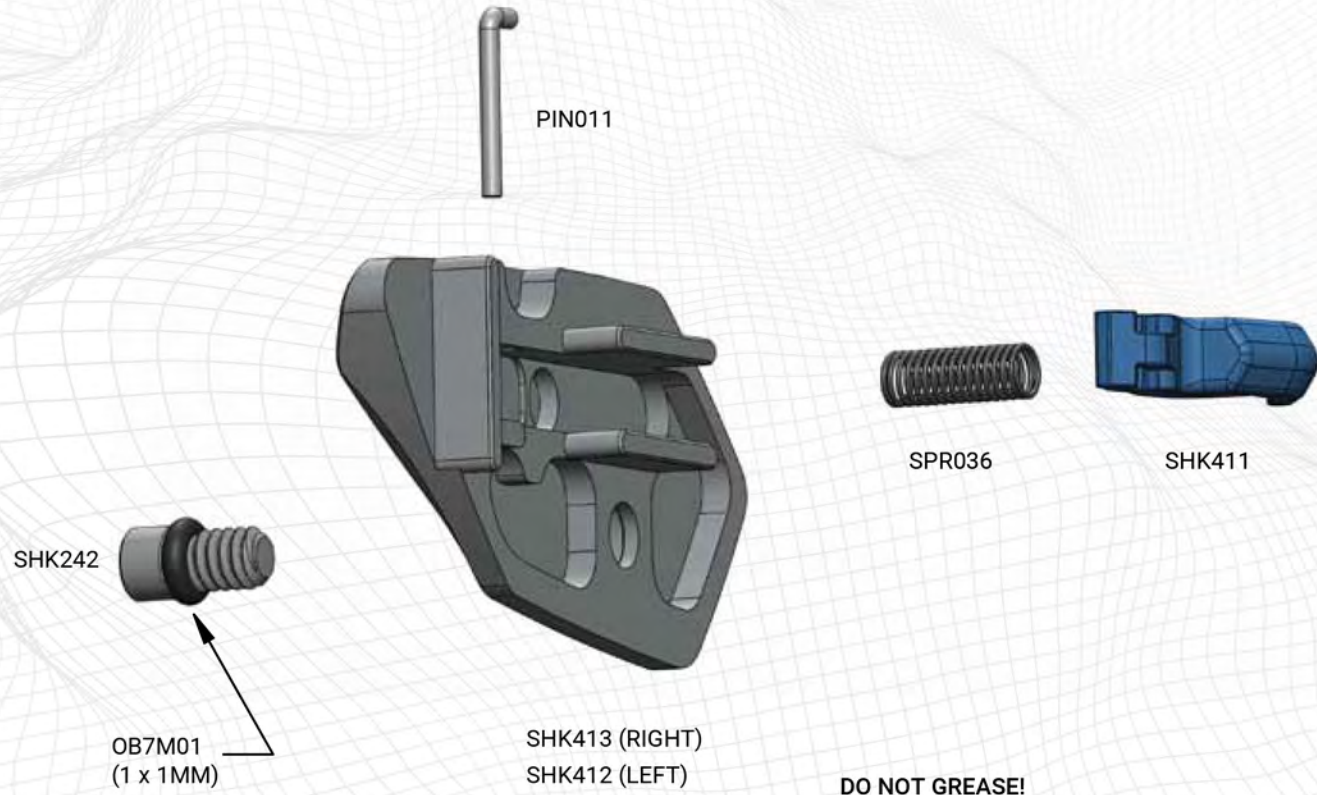
SHK138

OU9005
APPLY GR33SE™



SHOCKER[®] AMP

EYE COVER ASSEMBLY





SHOCKER[®] AMP

FEEDNECK ASSEMBLY



SHK433

QLK205

QLK206

SHK434

OB9004

HKA102

SSC001